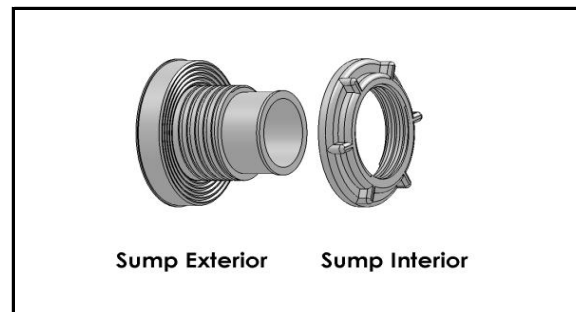
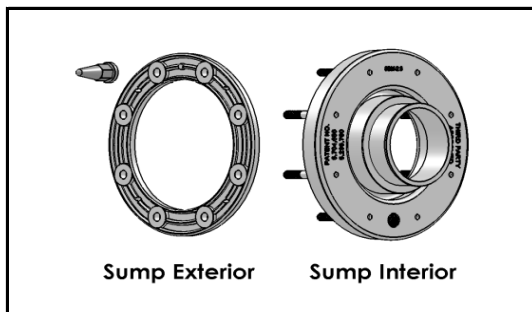


**Penetration Fittings, Terminating & Test Reducers for  
UPP Pipe**

List Prices Effective 7/1/08



**Diversified Products Mfg. Inc.**  
Oroville, California, USA  
[www.dpm-llc.com](http://www.dpm-llc.com)  
Phone: 1-530-534-3966  
Fax: 1-530-534-7404

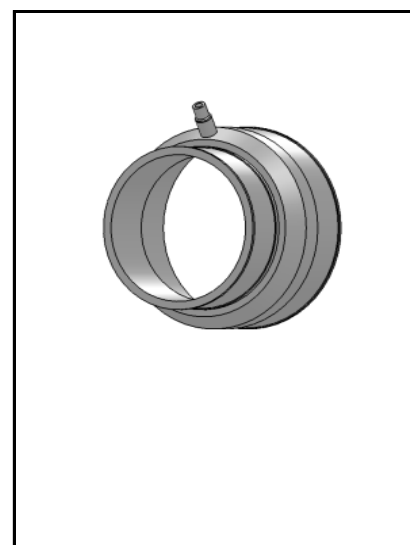


| Pipe Description<br>or<br>Pipe Product Number       |
|---|
| 001.250.xxxPS                                       |
| 001.160.xxxPS                                       |
| 001.125.xxxPS                                       |
| 001.110.xxxPS                                       |
| 001.090.xxxPS                                       |
| 001.075.xxxPS                                       |
| 001.063.xxxPS                                       |
| 001.050.xxxPS                                       |
| 40mm  |
| <b>Electrical Conduits &amp; Small Product Pipe</b> |
| 1" PVC Coated Conduit                               |
| 1" Rigid Steel Conduit                              |
| 32 MM Pipe  |
| 3/4" PVC Coated Conduit                             |
| 3/4" Rigid Steel Conduit & 25 mm Pipe               |
| 1" Conduit w 3/4" PVC Insert                        |
| 1" Conduit w 3/4" Insert                            |
| 1" Conduit w/ 3/4 & 1/2 Coated Inserts              |
| 1" Conduit w/ 3/4 & 1/2 Inserts                     |

| Studded Penetration Fittings |          |     |                   |          |
|------------------------------|----------|-----|-------------------|----------|
| Prod #                       | Any Qty  |     | Distributor Packs |          |
|                              | List     | Qty | Qty               | List     |
| 14S-9.9                      | \$243.50 | -   |                   | \$243.50 |
| 12S-6.3                      | \$92.61  | 10  |                   | \$85.20  |
| 10S-5.0                      | \$34.58  | 12  |                   | \$31.81  |
| 10S-4.5                      | \$34.58  | 10  |                   | \$31.81  |
| 8S-3.6                       | \$27.16  | 24  |                   | \$24.99  |
| 8S-3.0                       | \$27.16  | 24  |                   | \$24.99  |
| 8S-2.5                       | \$27.16  | 24  |                   | \$24.99  |
| 8S-2.0                       | \$27.16  | 24  |                   | \$24.99  |
| 8S-1.6                       | \$27.16  | 24  |                   | \$24.99  |
| 4S-1.4                       | \$22.20  | 36  |                   | \$20.42  |
| 4S-1.4                       | \$22.20  | 36  |                   | \$20.42  |
| 4S-1.3                       | \$22.20  | 36  |                   | \$20.42  |
| 4S-1.2                       | \$22.20  | 36  |                   | \$20.42  |
| 4S-1.1                       | \$22.20  | 36  |                   | \$20.42  |
| 4S-42                        | \$24.70  | 36  |                   | \$22.72  |
| 4S-41                        | \$24.70  | 36  |                   | \$22.72  |
| 4S-429                       | \$27.70  | 36  |                   | \$25.48  |
| 4S-419                       | \$27.70  | 36  |                   | \$25.48  |

| Threaded Penetration Fittings |         |          |                   |         |
|-------------------------------|---------|----------|-------------------|---------|
| Threaded Prod #               | Any Qty |          | Distributor Packs |         |
|                               | List    | Qty      | Qty               | List    |
| n/a                           | n/a     | n/a      | n/a               | n/a     |
| n/a                           | n/a     | n/a      | n/a               | n/a     |
| n/a                           | n/a     | n/a      | n/a               | n/a     |
| B6-4.5                        | \$32.21 | 25/30/50 |                   | \$29.64 |
| B5-3.6                        | \$28.95 | 36/54/72 |                   | \$26.63 |
| B5-3.0                        | \$28.95 | 36/54/72 |                   | \$26.63 |
| B5-2.5                        | \$28.95 | 36/54/72 |                   | \$26.63 |
| B5-2.0                        | \$28.95 | 36/54/72 |                   | \$26.63 |
| B5-1.6                        | \$28.95 | 36/54/72 |                   | \$26.63 |
| B2-1.4                        | \$22.20 | 24/144   |                   | \$20.42 |
| B2-1.4                        | \$22.20 | 24/144   |                   | \$20.42 |
| B2-1.3                        | \$22.20 | 24/144   |                   | \$20.42 |
| B2-1.2                        | \$22.20 | 24/144   |                   | \$20.42 |
| B2-1.1                        | \$22.20 | 24/144   |                   | \$20.42 |
| B2-42                         | \$24.70 | 24/144   |                   | \$22.72 |
| B2-41                         | \$24.70 | 24/144   |                   | \$22.72 |
| B2-429                        | \$27.20 | 24/144   |                   | \$25.02 |
| B2-419                        | \$27.20 | 24/144   |                   | \$25.02 |

| Terminating & Test Reducers     |            |         |                               |            |
|---------------------------------|------------|---------|-------------------------------|------------|
| Application                     | Prod #     | Base    | "HP" Add \$                   | "A" Add \$ |
| 250.160                         | RA 9.9x6.3 | \$90.00 | \$15.00                       | \$6.30     |
| 160.110                         | RA 6.3x4.5 | \$24.00 | \$15.00                       | \$6.30     |
| 160.90                          | RA 6.3x3.6 | \$24.00 | \$15.00                       | \$6.30     |
| 125.110                         | RA 5.0x4.4 | \$23.00 | \$15.00                       | \$6.30     |
| 110.90                          | RA 4.5x3.6 | \$21.50 | \$15.00                       | \$6.30     |
| 110.63                          | RA 4.5x2.5 | \$21.50 | \$15.00                       | \$6.30     |
| 110.50                          | RA 4.5x2.0 | \$21.50 | \$15.00                       | \$6.30     |
| 75.63                           | RA 3.0x2.5 | \$15.00 | Coaxial Design with Air Valve |            |
| 63.50                           | RA 2.5x2.0 | \$13.00 |                               |            |
| 40.32                           | RA 1.6x1.3 | \$11.00 |                               |            |
| 2 ft Long Crossover Tubing      | Xover-2ft  | \$11.50 |                               |            |
| 2 ft Long Crossover Test Tubing | Xover-Test | \$27.95 |                               |            |



All terminating and test reducers are provided with Worm Gear Clamps and are rated to 10 PSIG operating Pressure. High Pressure Models are rated to 35 PSIG and include T Bolt Clamps add "HP" to the end of the product number. For molded in air test valves add "A" to product numbers. **Example RA 5.0x4.4HPA**

Terms: Prepaid - Export Customers  
Freight: Billed to Customers Account  
Discounts: per Distributor Agreement

Note: Above Prices are for "Competitive" Single Sided Penetrations. DPM offers a complete line of Double Sided, Filled and Monitored Penetration Fittings. Some fittings have a 20 year Parts & Labor Warranty available (USA Installations Only)  
Call For Literature or Pricing