

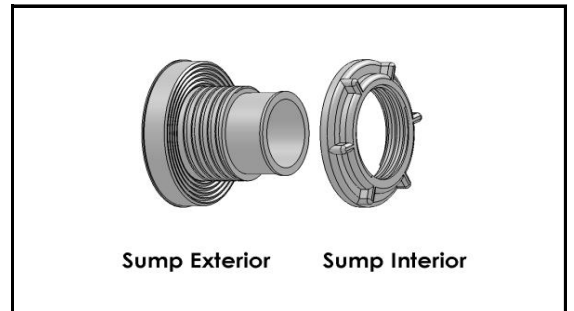
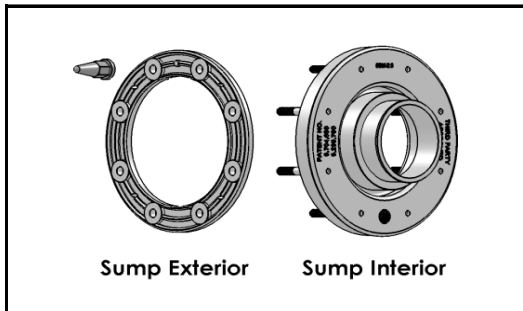
Penetration Fittings, Terminating & Test Reducers for

**KPS Pipe**

List Price Effective 7/1/08



**Diversified Products Mfg. Inc.**  
 Oroville, California, USA  
[www.dpm-llc.com](http://www.dpm-llc.com)  
 Phone: 1-530-534-3966  
 Fax: 1-530-534-7404

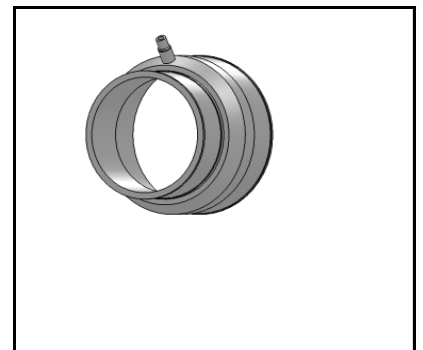


Pipe Description or Pipe Product Number
KP 125 Series
KP 110 Series
KP 90 Series
KP 75 Series
KP 63 Series
KP 54 Series
<b>Electrical Conduits &amp; Small Product Pipe</b>
1" PVC Coated Conduit
1" Rigid Steel Conduit
32 mm Pipe
3/4" PVC Coated Conduit
3/4" Rigid Steel Conduit & 25 mm
1" Conduit w 3/4" PVC Insert
1" Conduit w 3/4" Insert
1" Conduit w/ 3/4 & 1/2 Coated Inserts
1" Conduit w/ 3/4 & 1/2 Inserts

Studded Penetration Fittings			
Prod #	Any Qty List	Distributor Packs Qty	List
10S-5.0	\$34.58	12	\$31.81
10S-4.5	\$34.58	10	\$31.81
8S-3.6	\$27.16	24	\$24.99
8S-3.0	\$27.16	24	\$24.99
8S-2.5	\$27.16	24	\$24.99
8S-2.2	\$27.16	24	\$24.99
4S-1.4	\$22.20	36	\$20.42
4S-1.4	\$22.20	36	\$20.42
4S-1.3	\$22.20	36	\$20.42
4S-1.2	\$22.20	36	\$20.42
4S-1.1	\$22.20	36	\$20.42
4S-42	\$24.70	36	\$22.72
4S-41	\$24.70	36	\$22.72
4S-429	\$27.70	36	\$25.48
4S-419	\$27.70	36	\$25.48

Threaded Penetration Fittings			
Threaded Prod #	Any Qty List	Distributor Packs Qty	List
n/a	n/a	n/a	n/a
B6-4.5	\$32.21	25/30/50	\$29.64
B5-3.6	\$28.95	36/54/72	\$26.63
B5-3.0	\$28.95	36/54/72	\$26.63
B5-2.5	\$28.95	36/54/72	\$26.63
B5-2.2	\$28.95	36/54/72	\$26.63
B2-1.4	\$22.20	24/144	\$20.42
B2-1.4	\$22.20	24/144	\$20.42
B2-1.3	\$22.20	24/144	\$20.42
B2-1.2	\$22.20	24/144	\$20.42
B2-1.1	\$22.20	24/144	\$20.42
B2-42	\$24.70	24/144	\$22.72
B2-41	\$24.70	24/144	\$22.72
B2-429	\$27.20	24/144	\$25.02
B2-419	\$27.20	24/144	\$25.02

Terminating & Test Reducers				
Application	Prod #	Base	"HP" Add \$	"A" Add \$
125 over 110	RA 5.0x4.4	\$23.00	\$15.00	\$6.30
110 over 90	RA 4.5x3.6	\$21.50	\$15.00	\$6.30
75 over 63	RA 3.0x2.5	\$15.00	Coaxial Design With Air Valve	
63 over 54	RA 2.5x2.2	\$14.00	Coaxial Design With Air Valve	
63 over 32	RA 2.5x1.3	\$12.50	Coaxial Design With Air Valve	
2 ft Long Crossover Tubing	Xover-2ft	\$11.50		
2 ft Long Crossover Test Tubing	Xover-Test	\$27.95		



All terminating and test reducers are provided with Worm Gear Clamps and are rated to 10 PSIG operating Pressure. High Pressure Models are rated to 35 PSIG and include T Bolt Clamps add "HP" to the end of the product number. For molded in air test valves add "A" to product numbers. **Example RA 4.5x3.6HPA**

Terms: Prepaid - Export Customers  
 Freight: Billed to Customers Account  
 Discounts: per Distributor Agreement

Note: Above Prices are for "Competitive" Single Sided Penetrations. DPM offers a complete line of Double Sided, Filled and Monitored Penetration Fittings. Some fittings have a 20 year Parts & Labor Warranty available (USA Installations Only)  
 Call For Literature or Pricing