

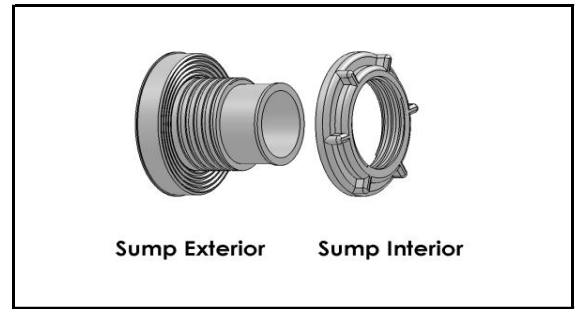
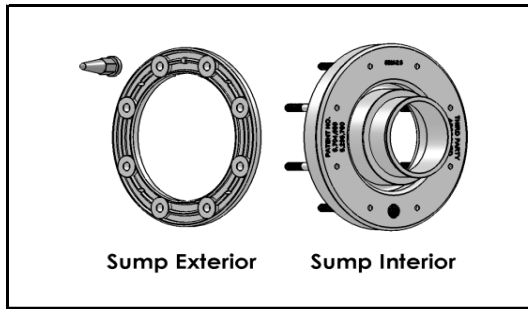
Penetration Fittings, Terminating & Test Reducers for

Durapipe

List Prices Effective 7/1/08



Diversified Products Mfg. Inc.
 Oroville, California, USA
www.dpm-llc.com
 Phone: 1-530-534-3966
 Fax: 1-530-534-7404

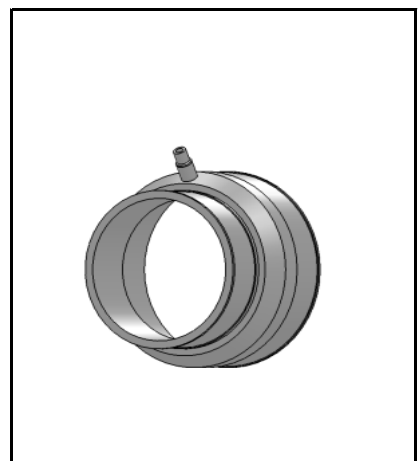


Pipe Description or Pipe Product Number
160 mm P-LX or P-LVX
110 mm P-LX or P-LVX
90 mm P-LX or P-LVX
75 mm P-LX or P-LVX
63 mm P-LX or P-LVX
50 mm P-LX or P-LVX
40 mm P-LX or P-LVX
Electrical Conduits & Small Product Pipe
1" PVC Coated Conduit
1" Rigid Steel Conduit
32 MM Pipe
3/4" PVC Coated Conduit
3/4" Rigid Steel Conduit
1" Conduit w 3/4" PVC Insert
1" Conduit w 3/4" Insert
1" Conduit w/ 3/4 & 1/2 Coated Inserts
1" Conduit w/ 3/4 & 1/2 Inserts

Studded Penetration Fittings				
Prod #	Any Qty		Distributor Packs	
	List	Qty	List	Qty
12S-6.3	\$92.61	12	\$85.20	12
10S-4.5	\$34.58	10	\$31.81	10
8S-3.6	\$27.16	24	\$24.99	24
8S-3.0	\$27.16	24	\$24.99	24
8S-2.5	\$27.16	24	\$24.99	24
8S-1.6	\$27.16	24	\$24.99	24
4S-1.4	\$22.20	36	\$20.42	36
4S-1.4	\$22.20	36	\$20.42	36
4S-1.3	\$22.20	36	\$20.42	36
4S-1.2	\$22.20	36	\$20.42	36
4S-1.1	\$22.20	36	\$20.42	36
4S-42	\$24.70	36	\$22.72	36
4S-41	\$24.70	36	\$22.72	36
4S-429	\$27.70	36	\$25.48	36
4S-419	\$27.70	36	\$25.48	36

Threaded Penetration Fittings				
Threaded Prod #	Any Qty		Distributor Packs	
	List	Qty	List	Qty
n/a	n/a	n/a	n/a	n/a
B6-4.5	\$32.21	25/30/50	\$29.64	25/30/50
B5-3.6	\$28.95	36/54/72	\$26.63	36/54/72
B5-3.0	\$28.95	36/54/72	\$26.63	36/54/72
B5-2.5	\$28.95	36/54/72	\$26.63	36/54/72
B5-1.6	\$28.95	36/54/72	\$26.63	36/54/72
B2-1.4	\$22.20	24/144	\$20.42	24/144
B2-1.4	\$22.20	24/144	\$20.42	24/144
B2-1.3	\$22.20	24/144	\$20.42	24/144
B2-1.2	\$22.20	24/144	\$20.42	24/144
B2-1.1	\$22.20	24/144	\$20.42	24/144
B2-42	\$24.70	24/144	\$22.72	24/144
B2-41	\$24.70	24/144	\$22.72	24/144
B2-429	\$27.20	24/144	\$25.02	24/144
B2-419	\$27.20	24/144	\$25.02	24/144

Terminating & Test Reducers				
Application	Prod #	Base	"HP" Add \$	"A" Add \$
110#160	RA 6.3x4.4	\$24.00	\$15.00	\$6.30
90#160	RA 6.3x3.5	\$24.00	\$15.00	\$6.30
63#110	RA 4.5x2.5	\$21.50	\$15.00	\$6.30
50#110	RA 4.5x2.0	\$21.50	\$15.00	\$6.30
50#90	RA 3.6x2.0	\$18.00	\$15.00	\$6.30
63#75	RA 3.0x2.5	\$15.00	Coaxial Design with Air Valve	
50#63	RA 2.5x2.0	\$13.00		
32#40	RA 1.6x1.3	\$11.00		
2 ft Long Crossover Tubing	Xover-2ft	\$11.50		
2 ft Long Crossover Test Tubing	Xover-Test	\$27.95		



All terminating and test reducers are provided with Worm Gear Clamps and are rated to 10 PSIG operating Pressure. High Pressure Models are rated to 35 PSIG and include T Bolt Clamps add "HP" to the end of the product number. For molded in air test valves add "A" to product numbers. **Example RA 3.6x2.0HPA**

Terms: Prepaid - Export Customers
 Freight: Billed to Customers Account
 Discounts: per Distributor Agreement

Note: Above Prices are for "Competitive" Single Sided Penetrations. DPM offers a complete line of Double Sided, Filled and Monitored Penetration Fittings. Some fittings have a 20 year Parts & Labor Warranty available (USA Installations Only)
 Call For Literature or Pricing